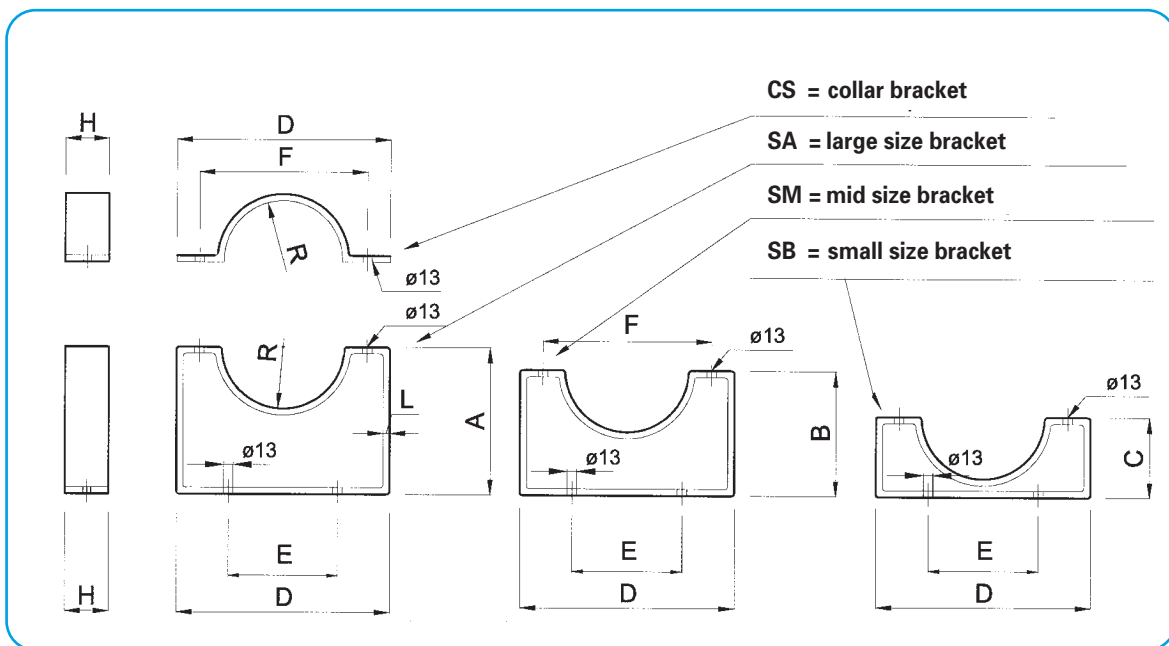
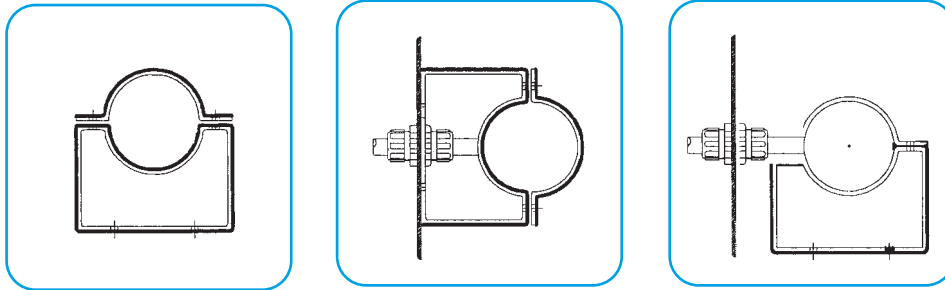


A4 - BRACKETS FOR HEADER TANK DN 5" 6" 8" 10"



Type	Tank Ø (inches)	A	B	C	D	E	F	H	L	R
CS5	5"	-	-	-	264	-	200	50	6	70
CS6	6"	-	-	-	292	-	230	50	6	84
CS8	8"	-	-	-	348	-	284	50	8	110
CS10	10"	-	-	-	424	-	350	50	8	136
SA5	5"	180	-	-	264	150	200	50	6	70
SM5	5"	-	160	-	264	150	200	50	6	70
SB5	5"	-	-	95	264	150	200	50	6	70
SA6	6"	200	-	-	292	150	230	50	6	84
SM6	6"	-	170	-	292	150	230	50	6	84
SB6	6"	-	-	109	292	150	230	50	6	84
SA8	8"	270	-	-	348	200	284	50	8	110
SM8	8"	-	210	-	348	200	284	50	8	110
SB8	8"	-	-	134	348	200	284	50	8	110
SA10	10"	273	-	-	424	250	350	50	8	136
SB10	10"	-	161	-	424	250	350	50	8	136

Standard painting
RAL 5012