

B4 GLOBAL PULSE VALVES FOR SQUARE TANK

SQ Series Ø 1"



CARACTERISTICS

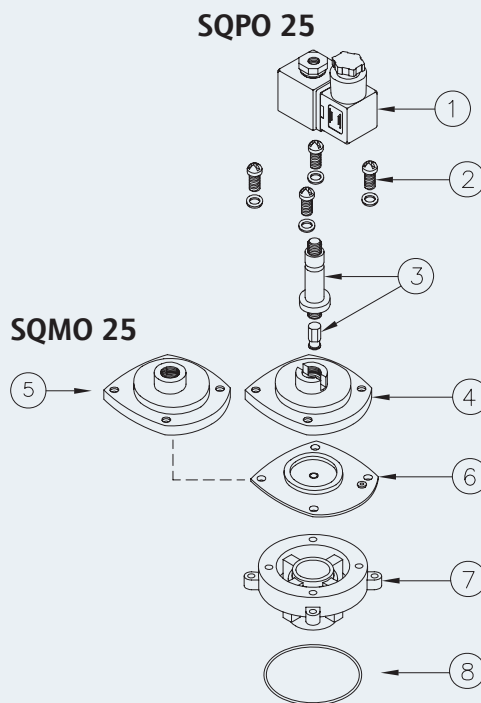
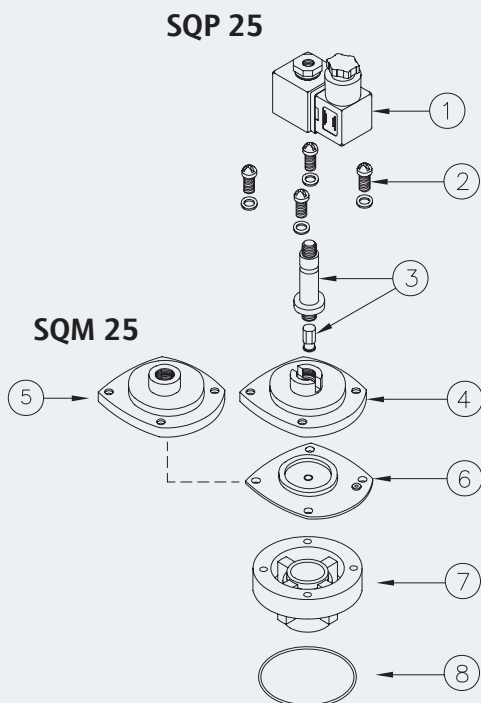
Fluid	Filtered and oilfree compressed air
Temperature range	STD Nitril diaphragm -40°C; +80°C Viton diaphragm -30°C; +200°C
Operating pressure	min 0,5; max 7,5 bar
Body & cover	Die cast aluminium
Core tube	Stainless Steel
Plunger	Stainless Steel
Screws	Stainless Steel
Coil insulation	Class H
Connector	PG 9; IP65 DIN 43650 ISO 4400
Standard voltages	230 -110 - 24V / 50-60VHz 19 VA 24VDC 15W

DESCRIPTION	SQP25/SQM25
1 Coil+Connector	BH10...V/50-60Hz
2 Screws+Washer	VTE6x18+VROS6
3 Pole assembly	GPC 10
4 Cover	TCOP 25
5 Cover remote operated	TCOP25FM
6 Diaphragm	M25
7 Body	TCOR25IM
8 O-Ring	OR 65x4

SQP Versione con pilota integrato
SQM Versione con pilota remoto

DESCRIPTION	SQP025/SQM025
1 Coil+Connector	BH10...V/50-60Hz
2 Screws+Washer	VTE6x18+VROS6
3 Pole assembly	GPC 10
4 Cover	TCOP 25
5 Cover remote operated	TCOP25FM
6 Diaphragm	M25
7 Body	TCOR25IMO
8 O-Ring	OR 65x4

SQPO Versione con pilota integrato
SQMO Versione con pilota remoto

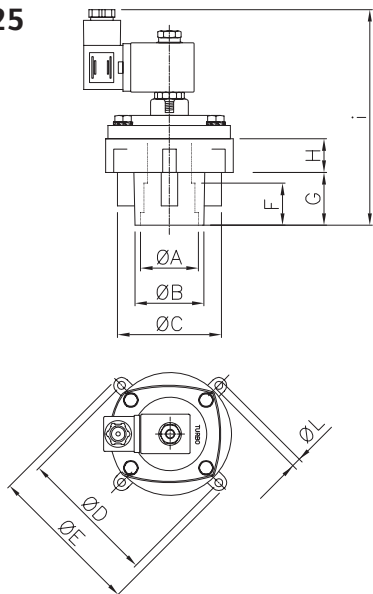


GLOBAL PULSE VALVE FOR SQUARE TANK

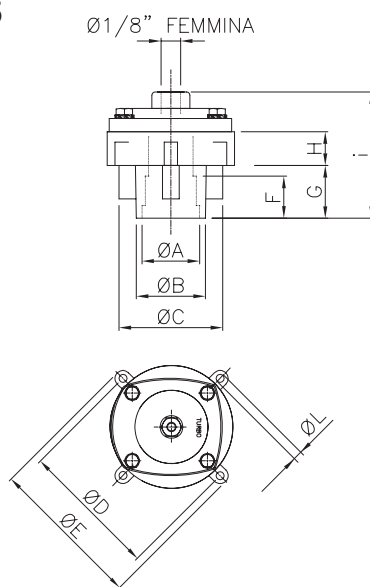
B4

Dimensions mm **SQ** Series

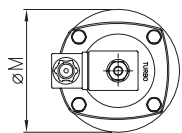
SQPO 25



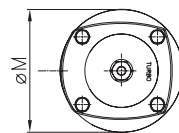
SQMO 25



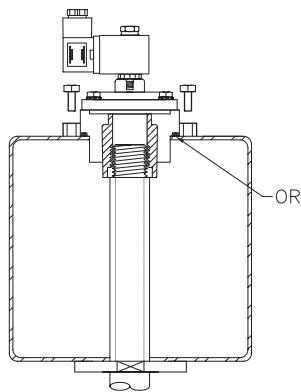
SQP 25



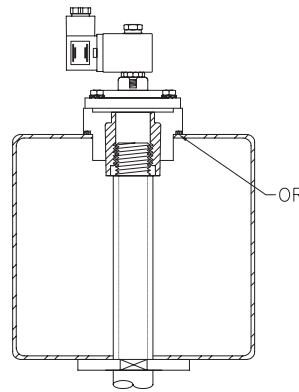
SQM 25



Installation SQPO 25/ SQMO 25



Installation SQP 25/ SQM 25



Model	Ø A	Ø B	Ø C	Ø D	Ø E	Ø M	F	G	H	I	Ø L	Weight (Kg)
SQPO 25	1"	41,4	62,2	104	116	92	25	31,5	20,2	136	6,2	0,6
SQMO 25	1"	41,4	62,2	104	116	92	25	31,5	20,2	78	6,2	0,5
SQP 25	1"	41,4	62,2	104	116	92	25	31,5	20,2	136	-	0,6
SQM 25	1"	41,4	62,2	104	116	92	25	31,5	20,2	78	-	0,5

B4 GLOBAL PULSE VALVES FOR SQUARE TANK

SQ Series Ø 1"1/2



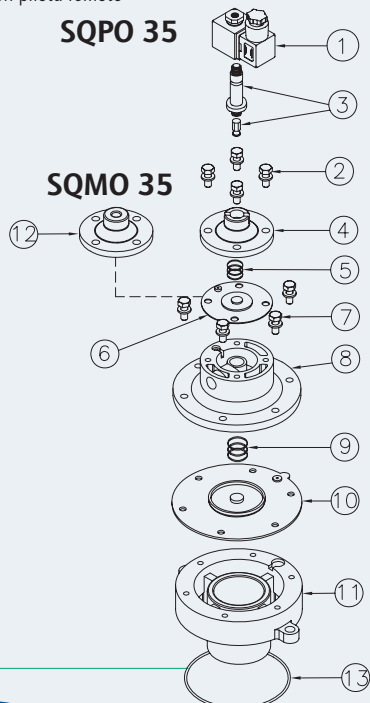
CARACTERISTICS

Fluid	Filtered and oilfree compressed air
Temperature range	STD Nitril diaphragm -40°C; +80°C Viton diaphragm -30°C; +200°C
Operating pressure	min. 0,5; max 7,5 bar
Body & cover	Die cast aluminium
Core tube	Stainless Steel
Plunger	Stainless Steel
Screws	Stainless Steel
Coil insulation	Class H
Connector	PG 9; IP65 DIN 43650 ISO 4400
Standard voltages	230 -110 - 24V / 50-60VHz 19 VA 24VDC 15W

DESCRIPTION	SQP035/SQM035
1 Coil+Connector	BH10...V/50-60Hz
2 Screws+Washer	VTE6x18+VROS6
3 Pole assembly	GPC 10
4 Cover	TCOP 10
5 Spring	TMOL25
6 Diaphragm	M10
7 Screws+Washer	VTE8x20+VROS8
8 Main cover	TCOP35N
9 Spring	TMOL40
10 Main diaphragm	M35-S
11 Body	TCOR35FMGS
12 Cover remote operated	TCOP10FM
13 O-Ring	OR 6337

SQPO Versione con pilota integrato

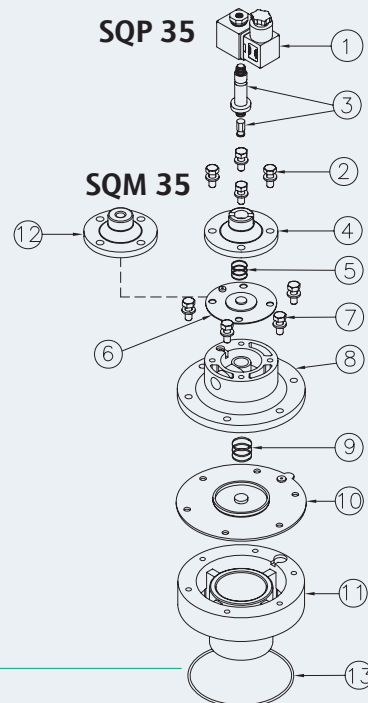
SQMO Versione con pilota remoto



DESCRIPTION	SQP35/SQM35
1 Coil+Connector	BH10...V/50-60Hz
2 Screws+Washer	VTE6x18+VROS6
3 Pole assembly	GPC 10
4 Cover	TCOP 10
5 Spring	TMOL25
6 Diaphragm	M10
7 Screws+Washer	VTE8x20+VROS8
8 Main cover	TCOP35N
9 Spring	TMOL40
10 Main diaphragm	M35-S
11 Body	TCOR35FMG
12 Cover remote operated	TCOP10FM
13 O-Ring	OR 6337

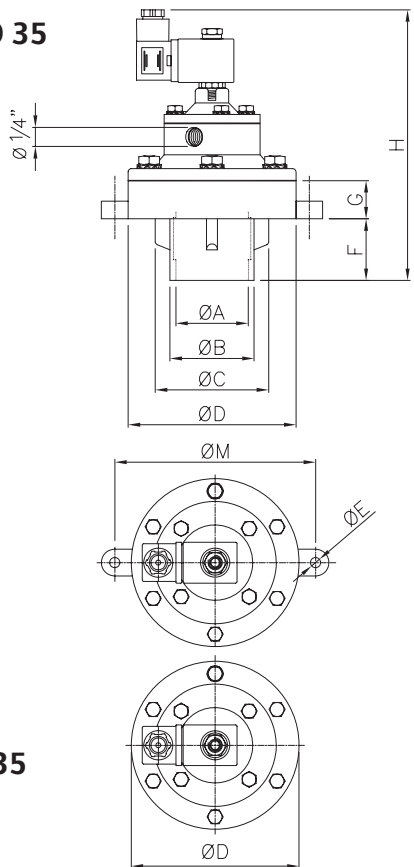
SQP Versione con pilota integrato

SQM Versione con pilota remoto

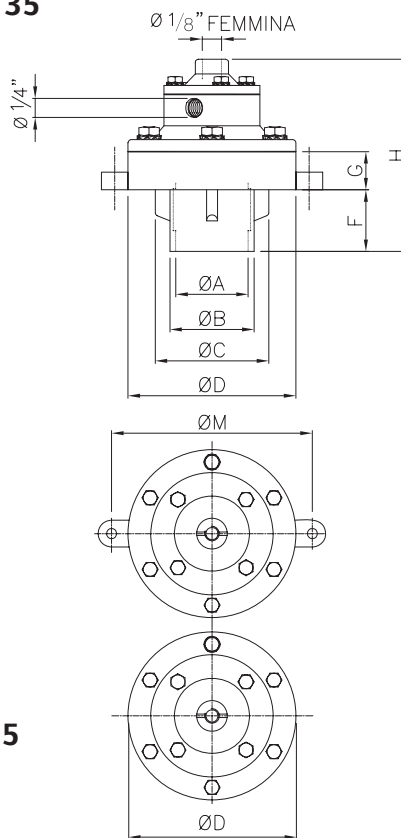


Dimensions $\varnothing 1\frac{1}{2}$ **SQ** Series

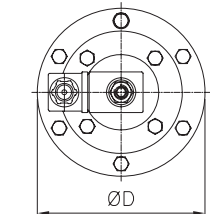
SQPO 35



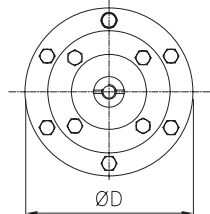
SQMO 35



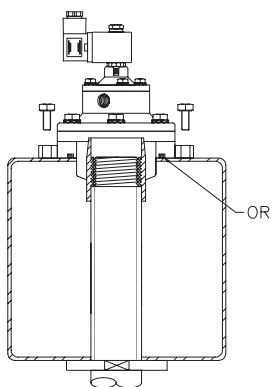
SQP 35



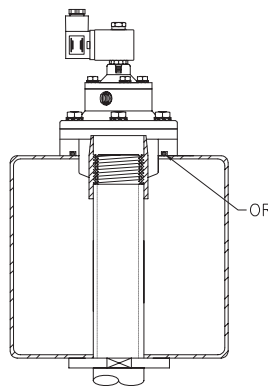
SQM 35



Installation SQPO 35



Installation SQMO 35



Model	Ø A	Ø B	Ø C	Ø D	Ø E	F	G	H	Ø M	Weight (Kg)
SQPO 35	1"½	57	80,4x70,3	114	9	42	26	162	130	1,3
SQMO 35	1"½	57	80,4x70,3	114	9	42	26	104	130	1,1
SQP 35	1"½	57	80,4x70,3	114	9	42	26	162	130	1,3
SQM 35	1"½	57	80,4x70,3	114	9	42	26	104	130	1,1

B4 GLOBAL PULSE VALVE FOR SQUARE TANK

SQ Series Ø 2" - 2"1/2 - 3" - 4"

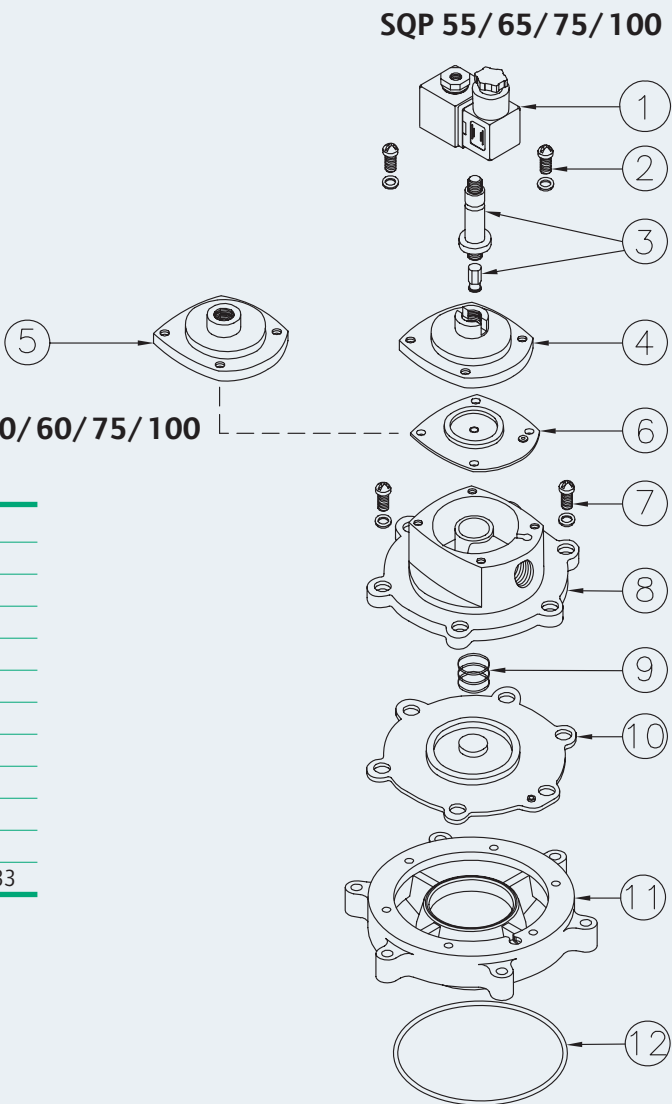


CHARACTERISTICS

Fluid	Filtered and oilfree compressed air
Temperature range	STD Nitril diaphragm -40°C; +80°C Viton diaphragm -30°C; +200°C
Operating pressure	min. 0,5; max 7,5 bar
Body & cover	Die cast aluminium
Core tube	Stainless Steel
Plunger	Stainless Steel
Screws	Stainless Steel
Coil insulation	Class H
Connector	PG 9; IP65 DIN 43650 ISO 4400
Standard voltages	230 -110 - 24V / 50-60VHz 19 VA 24VDC 15W

DESCRIPTION	SQP55/ 65
1 Coil+Connector	BH10...V/50-60Hz
2 Screws+Washer	VTE6x20+VROS6
3 Pole assembly	GPC 10
4 Cover	TCOP 25
5 Cover remote operate	TCOP25FM
6 Diaphragm	M25
7 Screws+Washer	VTE10x20+VROS10
8 Cover	TCOP50G
9 Spring	TMOL40
10 Main diaphragm	M50
11 Body	TCOR50FG - TCOR60FG
12 O-Ring	OR 133 35x5,33

DESCRIPTION	SQP75/ 100
1 Coil+Connector	BH10...V/50-60Hz
2 Screws+Washer	VTE6x18+VROS6
3 Pole assembly	GPC 10
4 Cover	TCOP 25
5 Cover remote operate	TCOP25FM
6 Diaphragm	M25
7 Screws+Washer	VTE10x25+VROS10
8 Cover	TCOP65G
9 Spring	TMOL40
10 Main diaphragm	M75
11 Body	TCOR75FLQ - TCOR100FLQ
12 O-Ring	OR 177 17x6,99 - OR 100 17x5,33

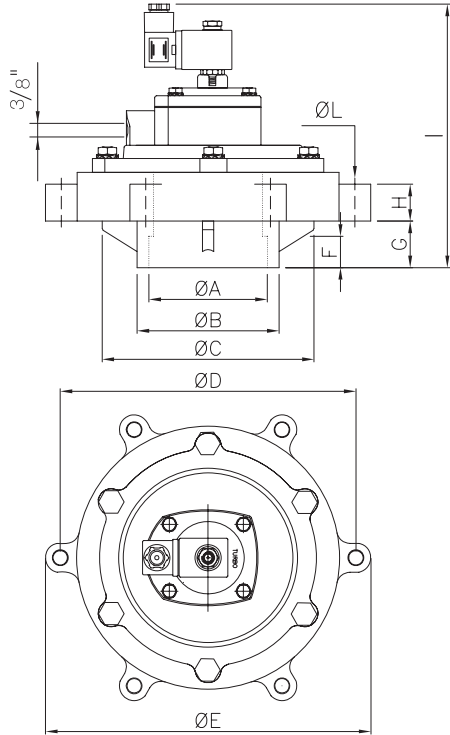


GLOBAL PULSE VALVE FOR SQUARE TANK

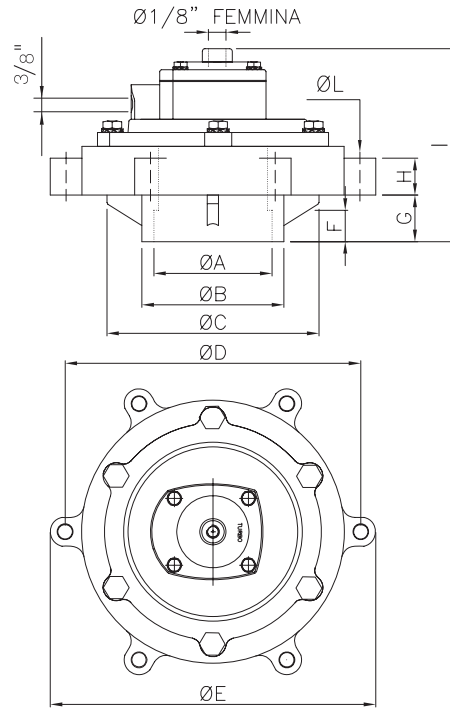
B4

Dimensions Ø 2" - 2"1/2 - 3" - 4" **SQ** Series

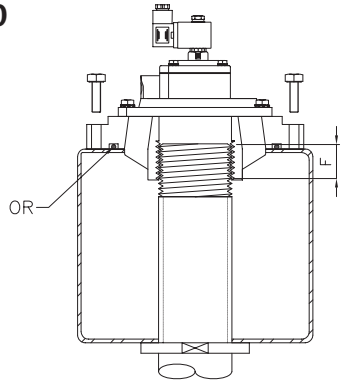
SQP 50/60/75/100



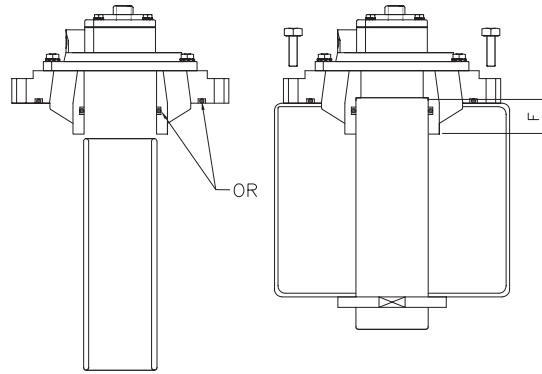
SQM 50/60/75/100



SQM 50/60
SQP 50/60



SQM 75/100 PUSH IN
SQP 75/100 PUSH IN



Model	Ø A	Ø B	Ø C	Ø D	Ø E	F	G	H	I	Ø L	Weight (Kg)
SQP 50	2"	83	126	175	195	39	60	20	211	11	2,4
SQP 60	2"1/2	83	126	175	195	39	60	20	211	11	2,2
SQP 75-IN	3"	107,5	161	225	247	44	35,5	27	206	11	3,6
SQP 100-IN	4" (101,6 mm)	119,5	161	225	247	44	35,5	27	206	11	3,5
SQM 50	2"	83	126	175	195	39	60	20	153	11	2,2
SQM 60	2"1/2	83	126	175	195	39	60	20	153	11	2
SQM 75-IN	3"	107,5	161	225	247	44	35,5	27	148	11	3,6
SQM 100-IN	4" (101,6 mm)	119,5	161	225	247	44	35,5	27	148	11	3,3