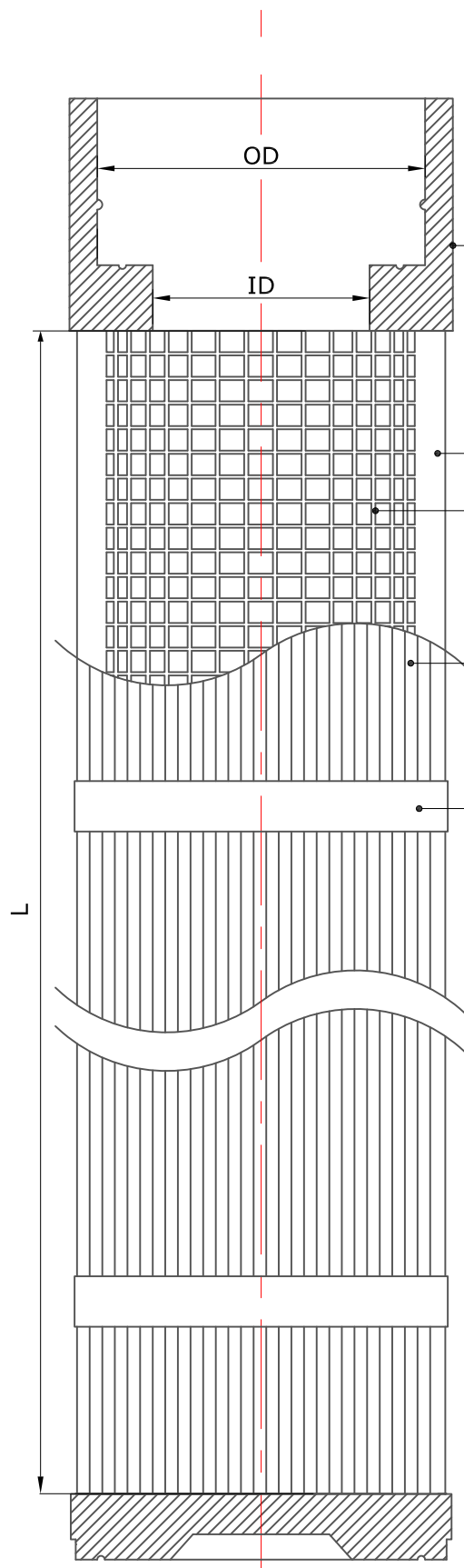
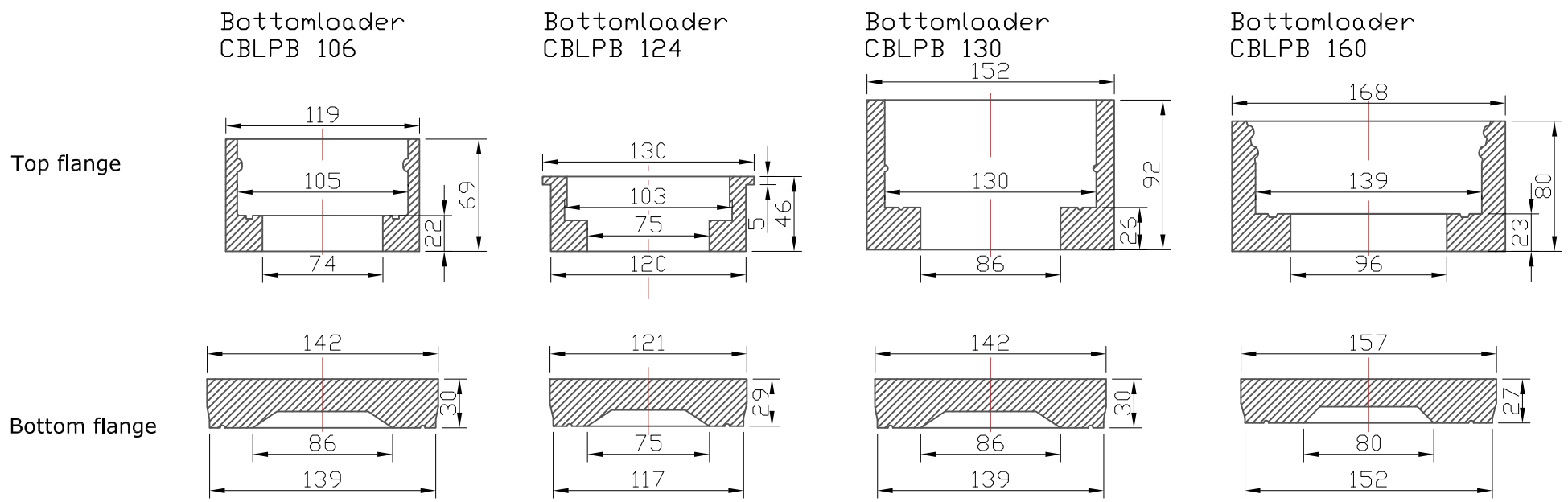


Pleated Bag - Bottomloader



Compound	PU compound
	Shore A :64 ±5
	Max temp.: 120 C

OD	Outer diameter
ID	Inner diameter
GD	Gasket diameter
L	Length
IM	Inner mesh
OM	Outer mesh
BA	Band
BAM	Band montage
PH	Pleated height
PNB	Pleated number
PM2	Pleated m2
TFL	Top flange
BFL	Bottom flange

CBLPB	CBLPB 106	CBLPB 124	CBLPB 130	CBLPB 160
MOULD	2015	2005	2060	2075
OD	106	103	130	139
ID	74	75	86	96
L	300-2000	300-2000	300-2000	300-2000
IM	metal plast	metal plast	metal plast	metal plast
BA	**/**	**/**	**/**	**/**
BAM	weld tech ! Strap	weld tech ! Strap	weld tech ! Strap	weld tech ! Strap
PH	16mm	16-17mm	21mm	22mm
PNB	$\frac{m^2}{1000} / 2 * \left(\frac{ph}{1000}\right) / \left(\frac{L}{1000}\right) = PNB$			
PM2	** !	** !	** !	** !
TFL	Plast	Plast	Plast	Plast
BFL	Plast	Plast	Plast	Plast

! Weld tech band define by the m²/Weld tech band is definiert bei m² !

** defined by customerer *** defined by Nordic

All dimentionen are in mm
Alles dimentionen ist im mm
Alle mål er i mm

DO NOT SCALE

All rights too manufacture. Copy, or dispose of this writing or it's contents are reserved unless otherwise specified In writting by Nordic Air Filtration A/S.



	Nordic Air Filtration A/S	Denmark
	Indentification: Pleated bag - bottom loader	date: 14.08.2008
	Type: CBLPB	drawing no.
	Materials:	scale:
	Spec No.:	made by: TRP
Nordic Air Filtration A/S - Bergensevej 1 - DK-4900 Nakskov - Denmark E-mail: sales@nordic-air-filtration.com - www.nordic-air-filtration.com Phone: +45 5495 1390 - Fax: +45 5495 1363		approved: