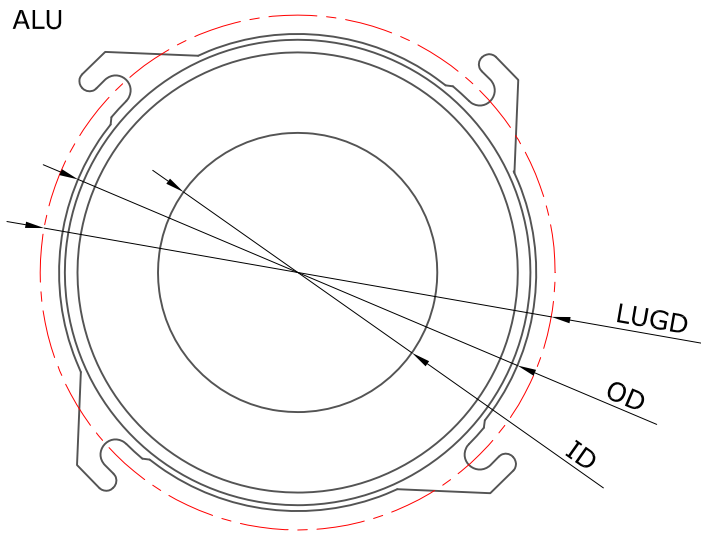
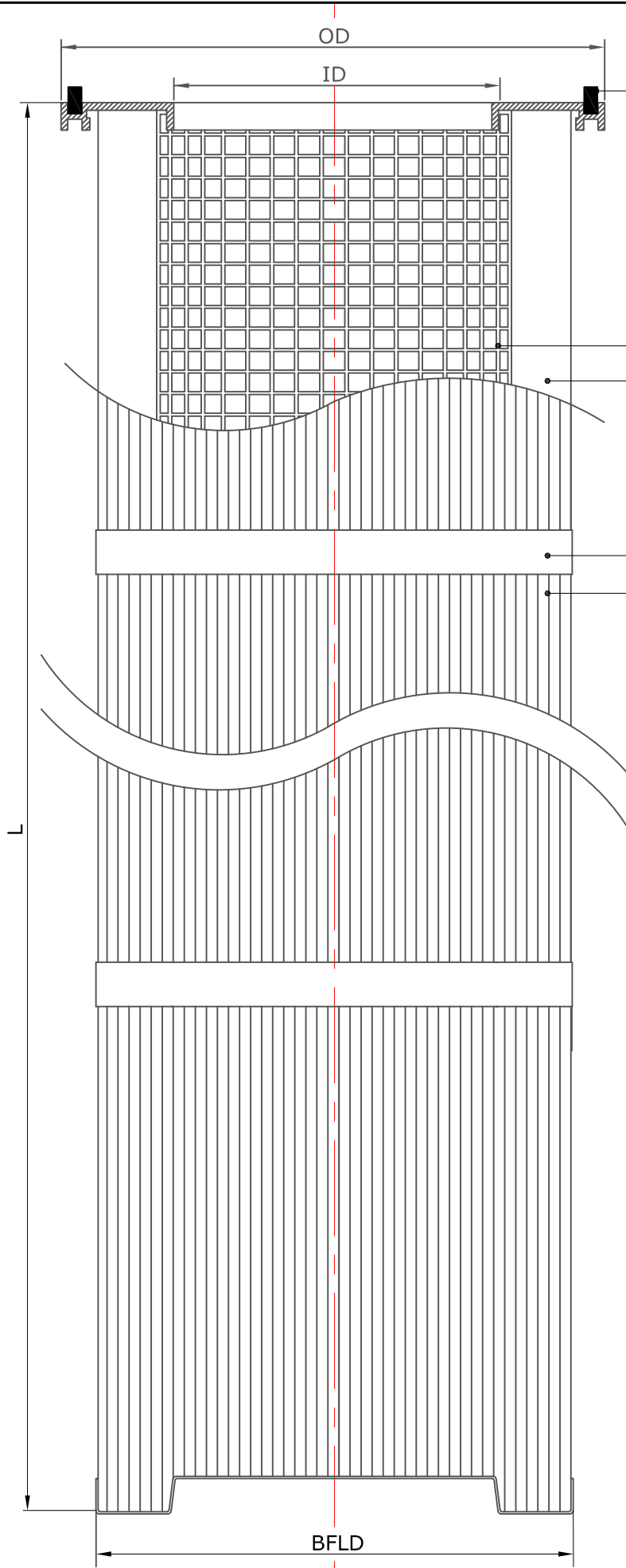
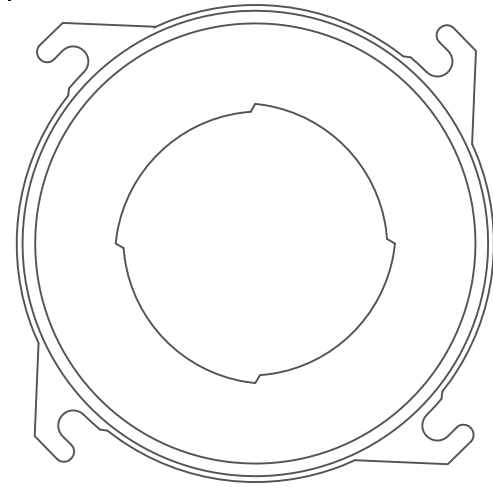


Jet 4 Lug



Plast Venturi



Gasket

GASKET
6x12mm
Shore A : 25 ±5

GASKET
15x15x15mm
Shore A : 25 ±5

Inner mesh
Filtermedia

Band
Filtermedia

OD	Outer diameter
ID	Inner diameter
GD	Gasket diameter
L	Length
IM	Inner mesh
OM	Outer mesh
BA	Band
BAM	Band montage
PH	Pleated height
PNB	Pleated number
PM2	Pleated m2
TFL	Top flange
BFL	Bottom flange
GASK	Gasket
LUGD	Lug diameter
BFLD	Bottom flange diameter

CJ	CJ 225	CJK 225	CJ	CJ
OD	247	245	-	-
ID	145	145	-	-
LUGD	267	267	-	-
BFLD	-	-	-	-
GASK	15x15x15	6x12	-	-
TFL	Alu	Plast	-	-
Venturi	Y	N	-	-
BFL	Galv. Steel	Plast	-	-
L	300-2000	300-2000	-	-
IM	metal plast	metal plast	-	-
BA	**/**	**/**	-	-
BAM	weld tech ! Strap	weld tech ! Strap	-	-
PH	28mm	26mm	-	-
PNB	$\frac{m^2}{1000} / 2 * \frac{ph}{1000} / \frac{L}{1000} = PNB$			
PM2	** !	** !	-	-
! Weld tech band define by the m ² /Weld tech band is definiert bei m ² !				
** defined by customer			*** defined by Nordic	
All dimentionen are in mm Alles dimentionen ist in mm Alle mål er i mm			DO NOT SCALE	
All rights too manufacture. Copy, or dispose of this writing or it's contents are reserved unless otherwise specified in writting by Nordic Air Filtration A/S.				



Nordic Air Filtration A/S



Denmark
date: 23.07.2008
drawing no.
scale:
made by: TRP
approved:

Identification: Jet 4 Lug

Type: CJ/CJK

Materials:

Spec No.:

Nordic Air Filtration A/S - Bergenvej 1 - DK-4900 Nakskov - Denmark
 E-mail: sales@nordic-air-filtration.com - www.nordic-air-filtration.com
 Phone: +45 5495 1390 - Fax: +45 5495 1363