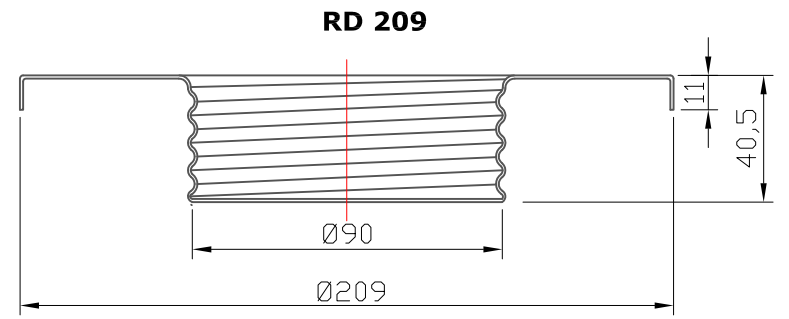
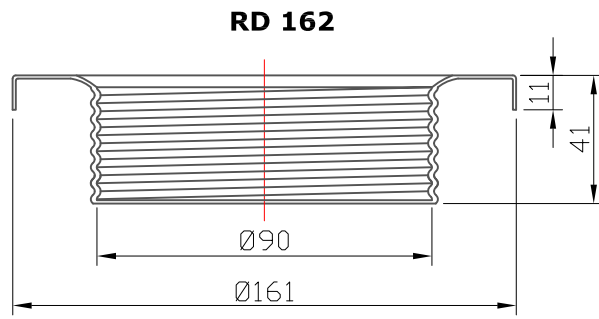
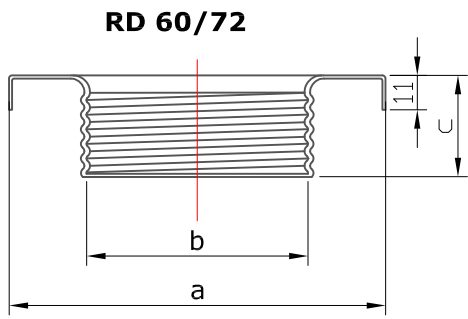


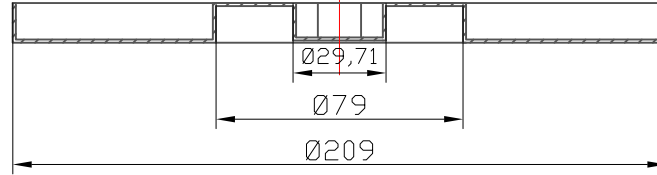
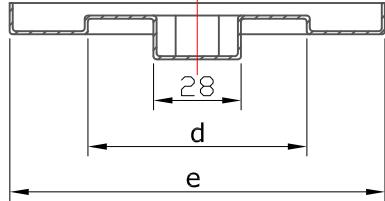
# RD Cartridge

## Top flange

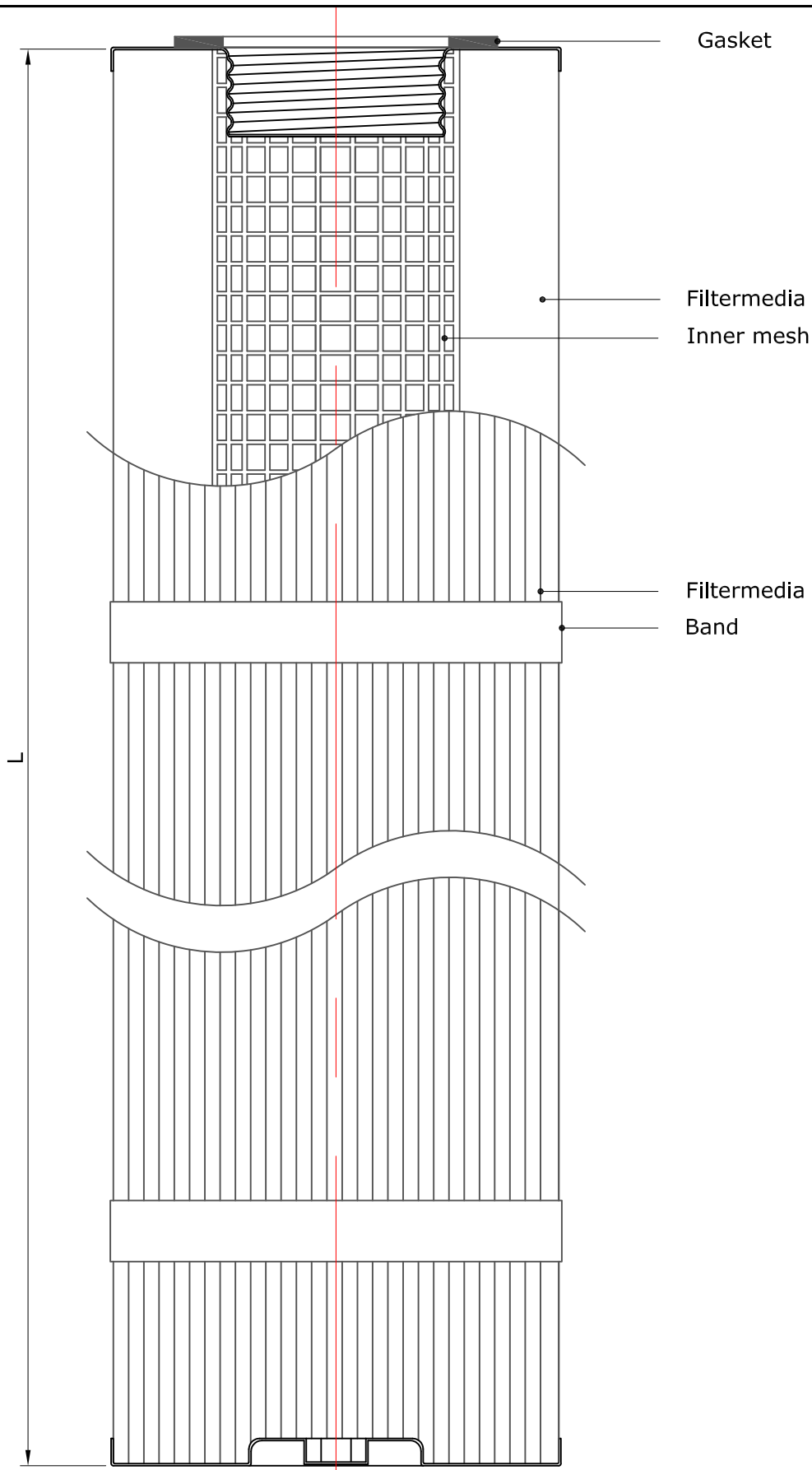


	a	b	c	d	e
RD 60	115	54.4	39.6	65	115
RD 72	120.4	68	32.5	70	120

## Bottom flange



## Bottom flange RD162 + RD209



GASKET		GASKET	
Neopren		Felt	
<b>RD160:</b> Ø150/Ø105, 5mm		<b>RD60/72:</b> Ø110/Ø80, 4mm	
Shore A : 25 ±5		<b>RD160:</b> Ø150/Ø10, 5mm	
		Shore A : 25 ±5	

OD	Outer diameter
ID	Inner diameter
GD	Gasket diameter
L	Length
IM	Inner mesh
OM	Outer mesh
BA	Band
BAM	Band montage
PH	Pleated height
PNB	Pleated number
PM2	Pleated m2
TFL	Top flange
BFL	Bottom flange

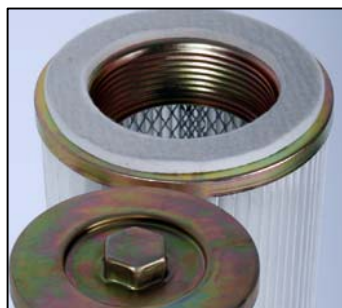
RD	RD 60	RD 72	RD 160	RD 209
OD	115	120	161	209
ID	54	68	90	90
L	200-2000	200-2000	200-2000	200-2000
IM	metal	metal	metal	metal
BA	**/**	**/**	**/**	**/**
BAM	weld tech ! Strap	weld tech ! Strap	weld tech ! Strap	weld tech ! Strap
PH	22mm	16-18mm	26-30mm	-
PNB	$\frac{m^2}{1000} / 2 * \frac{ph}{1000} / \frac{L}{1000} = PNB$			
PM2	** !	** !	** !	** !
TFL	Galv. Steel	Galv. Steel	Galv. Steel	Galv. Steel
BFL	Galv. Steel	Galv. Steel	Galv. Steel	Galv. Steel

! Weld tech band define by the m<sup>2</sup>/Weld tech band is definiert bei m<sup>2</sup> !  
 \*\* defined by customerer      \*\*\* defined by Nordic

All dimentionen are in mm  
 Alles dimentionen ist in mm  
 Alle mål er i mm

**DO NOT SCALE**

All rights too manufacture. Copy, or dispose of this writing or it's contents are reserved unless otherwise specified in writting by Nordic Air Filtration A/S.



	<b>Nordic Air Filtration A/S</b> Denmark date: 21.07.2008	
	Identification: RD Cartridge Type: CRD	drawing no. scale:
	Materials: Spec No.:	made by: TRP approved:
	Nordic Air Filtration A/S - Bergenevej 1 - DK-4900 Nakskov - Denmark E-mail: sales@nordic-air-filtration.com - www.nordic-air-filtration.com Phone: +45 5495 1390 - Fax: +45 5495 1363	